

Your **PDU**[®]

by Schleifenbauer



THIS PDF HAS BEEN OPTIMISED FOR VIEWING WITH ADOBE READER. [CLICK HERE](#) TO DOWNLOAD IT FOR FREE.

Discover the elements of YourPDU[®]

Our PDUs are of the highest quality which means we can guarantee you the safest possible solution for the **infra** environment of your datacentre.



Our advanced technology offers you accurate measurements and detailed **data**, so that you can make the right choices.

CONTENT

YourPDU® infra

1. CABLE/CABLE ENTRY	4
2. FUSES/ SURGE PROTECTION	5
3. HOUSING	6
4. OUTPUTS	7
5. MOUNTING	8

YourPDU® data

6. RESIDUAL CURRENT MONITORING	9
7. MEASUREMENT	10
8. DISPLAY	11
9. OUTPUTS	12
10. SENSORS	13
TECHNICAL SPECIFICATIONS	14



1. CABLE/CABLE ENTRY

Your PDU comes with a connecting lead of the correct length and with the correct connector. Furthermore, the cable connection is provided in the place that you need. The cable, which has been specially manufactured for Schleifenbauer, has LSZH specification and is ultra-flexible. It has an oversized diameter which results in lower build-up of heat and lower energy consumption. In addition to the standard connection with a connector, there is also the option of a terminal connection.

SPECIFICATIONS:

CABLE

- Length can be adapted
- Choice of connector type IEC320 C14 & C20 connector which can be supplied with an optional lock
- Low Smoke Zero Halogen (LSZH)
- Oversized diameter
- Optional terminal connection

CABLE CONNECTION

- Choose where cable entry is located
 - top
 - base
 - front
 - rear

CONNECTORS:



Options

- 01. CEE 7/4 (Schuko)
CEE 7/5 (UTE)
- 02. IEC320 C14
- 03. IEC320 C20

- 04. IEC60309 1 phase (IP44/IP67)
- 05. IEC60309 3 phase (IP44/IP67)
- 06. BS 1363
- 07. GST 3/18

- 08. T13
- 09. T23
- 10. Cable connection
- 11. Terminal connection

CONNECTIONS:



2. FUSES/SURGE PROTECTION

Nowadays, it is unthinkable to have a datacentre without the highest possible safety protection. It is even a legal requirement to use fuses in certain situations. You can employ fuses in YourPDU® according to your requirements and the infrastructure. This guarantees continuity and reduces the chance of a power outage.

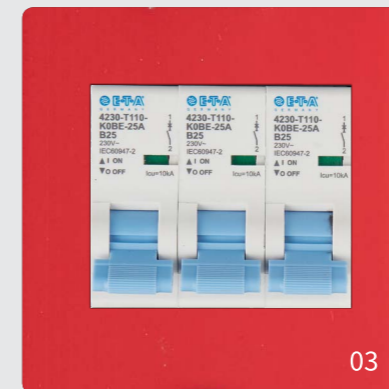
SPECIFICATIONS:

FUSES

- Unrestricted choice of the type of fuse, including:
 - Miniature circuit breaker (MCB)
 - Thermal fuse
 - Glass cartridge fuse holder
 - PASCO cartridge holder

SURGE PROTECTION

- Protects PDU against surges
- Hot swap
- Can be replaced by a data centre engineer



Options

- 01. Glass cartridge fuse holder
- 02. Thermal fuse
- 03. Miniature Circuit Breaker (MCB)
- 04. Surge Protection

3. HOUSING

The housing of your PDU is made entirely from aluminium, due to its good thermal properties and so as to keep the weight low. You can determine the length and orientation (horizontal or vertical). Our aluminium housing can be supplied in various colours and is provided with custom engraving.

SPECIFICATIONS:

- Material: 1.5 mm anodised aluminium
- Dimensions:
 - Length: can be adapted
 - Width: 65 mm
 - Depth: 52,6 mm
- Adaptable orientation
- Colours:
 - Black
 - Green
 - Orange
 - Blue
 - Red
 - Yellow
- Custom engraving



Options

- 01. Black*
- 02. Green*
- 03. Orange*
- 04. Blue*

- 05. Red*
- 06. Yellow*
- 07. Custom engraving

* The colours shown are for illustration purposes. Actual colours may vary.



4. OUTPUTS

You can fit your PDU with various outputs and types of outputs. You configure both the number and type of outputs. For example, IEC C13, IEC C19 and CEE 7/3 (Schuko). You can specify the order in which you want the outputs to be arranged. IEC C13 and IEC C19 connectors are available optionally with a lock.

SPECIFICATIONS:

Various types of outputs:

- IEC320 C13
- IEC320 C13 IEC-lock
- IEC320 C19
- IEC320 C19 IEC-lock
- CEE 7/3 (Schuko)
- CEE 7/5 (UTE)
- IEC60309 1 phase (IP44/IP67)
- IEC60309 3 phase (IP44/IP67)
- BS 1363
- GST 18/3
- T13
- T23



Options

- 01. IEC320 C13
- 02. IEC320 C13 IEC-lock
- 03. IEC320 C19
- 04. IEC320 C19 IEC-lock

- 5. CEE 7/3 (Schuko)
- 6. CEE 7/5 (UTE)
- 7. IEC60309 1 phase (IP44/IP67)
- 8. IEC60309 3 phase (IP44/IP67)

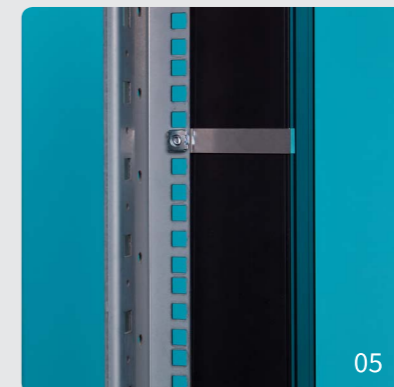
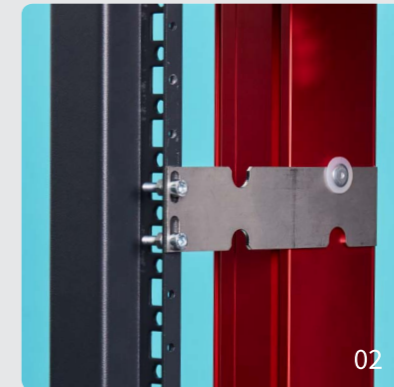
- 09. BS 1363
- 10. GST 18/3
- 11. T13
- 12. T23

5. MOUNTING

In order to correctly install a PDU in a server rack, you need specific expertise. Schleifenbauer has expertise in house and offers mounting options for every type of server cabinet, whatever the type or manufacturer, using mounting brackets or even “toolless” mounting. What is your ideal mounting? If a standard mounting solution is not available, we can provide you with a custom solution!

SPECIFICATIONS:

- Independent of server rack manufacturer
- Independent of type of server rack
- “Toolless mount” option
- Option for custom mounting



Options

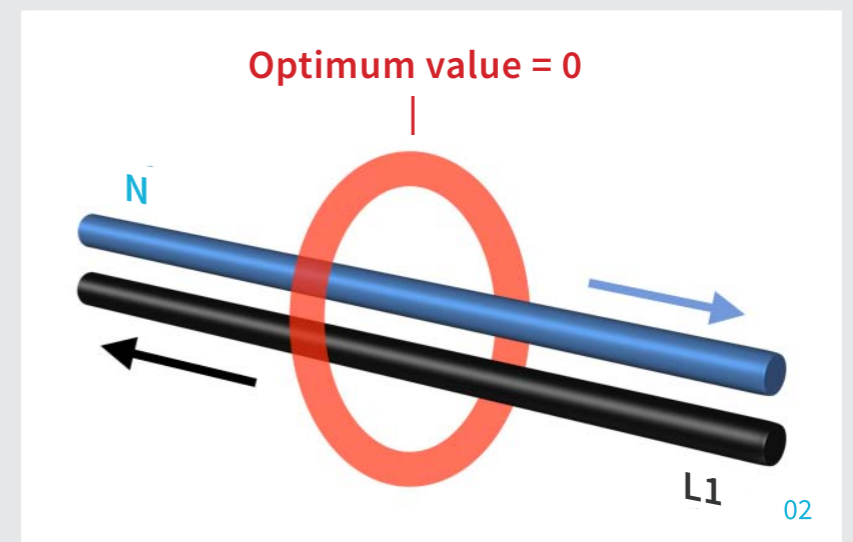
- 01. Horizontal 19 inches
- 02. Toolless mount
- 03. Table mount
- 04. Recessed
- 05. Profile clamps

6. RESIDUAL CURRENT MONITORING

The residual current monitoring meter developed by Schleifenbauer enables you to easily localise leakage flows at circuit level. In various European countries, residual current monitoring can be used to meet statutory safety requirements.

SPECIFICATIONS:

- Class B measurement (measurement of AC and DC components)
- Auto-test
- Single and three-phase application



01. Residual Current Sensor

02. Schematic diagram of residual current monitoring

7. MEASUREMENT

The measurement readings on your PDU provide insights into energy flows and enable you to manage these. You can read measurements locally or at a distance (remote). Naturally, you can also choose a PDU without measurement reading (basic).

SELECT YOUR CONFIGURATION:

Select your configuration:

- a. No measurement reading (basic)
- b. Local measurement reading (local)
 - Current in A
- c. Measurement at a distance (remote)
 - Current in A
 - Power in W and VA
 - Energy in kWh
 - Voltage in V Power factor



01



02

Options

01. Local

02. Remote

MANAGE YOUR PDU REMOTELY

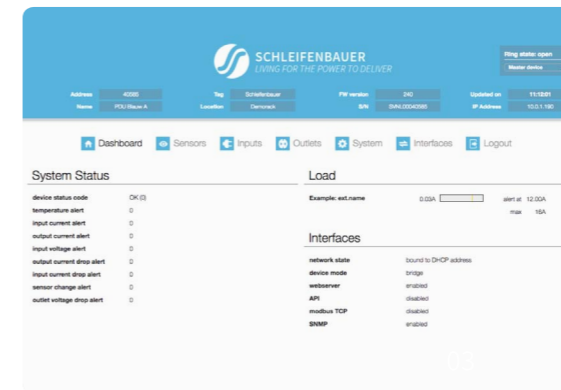
• Web interface

Our web interface is intuitive. It clearly shows all information and settings can be easily changed.

• Your data is comprehensive and clear

Your PDU data is integrated into your environment using open standards. Communication via various protocols such as SNMP (v1, v2c and v3), Modbus and API.

Our applications are developed in well-known DCIM platforms such as PerfIT, Schneider InfraStruxure Manager, Sunbird DCIM and iTRACS[®].



Options

01. Web interface

02. DCIM platform of PerfIT



8. DISPLAY

If you choose remote measurement, the LCD display with LED backlight will provide you with all of the most important information. For instance, measurements status and configuration. The information is displayed horizontally or vertically, depending on your configurations. If a threshold value you have set is exceeded, this will be indicated on the display with an alert.

SPECIFICATIONS:

- LCD-backlight
- Horizontal/vertical display



9. OUTPUTS (DATA)

The intelligence in YourPDU® does not need to be limited to complete measurement. You can choose to individually measure the outputs or to activate/deactivate them. You can also combine both options.

SPECIFICATIONS:

- Energy measurement
 - Total PDU
 - Groups
 - Individual outputs
- Individual outputs switchable at a distance – bi-stable relays are used for this.



10. SENSORS

Your PDU can be fitted optionally with external sensors. Schleifenbauer supplies a combined temperature/humidity sensor. It is also possible to add further sensors such as a water leak sensor based on binary input for potential-free contact.



Temperature/humidity sensor

SPECIFICATIONS:

- Temperature measurement
- Humidity measurement
- Dry switch contact
(based on binary input for potential-free contact)

TECHNICAL INFORMATION:

SPECIFICATIONS:

- **Profile dimensions**

BxD 65 mm x 52.5 mm, adaptable length, anodised aluminium with stainless steel side plates

- **Profile colours**

Black, green, orange, blue, red, yellow

- **Power input** 230/400 VAC single phase or three phase 16A/32A/63A

- **Mains lead**

Single phase 16 A: 3G2.5, three phase 16A: 5G2.5, single phase 32A: 3G2.5, three phase 32A: 5G6 Low Smoke Zero Halogen (LSZH)

- **Local measurement**

True RMS power (A) LCD display (3 digits)

- **Remote measurement**

Energy total (kWh) no-resettable, sub-total (kWh) can be reset by user
True RMS current (A) with peak registration. Peak duration can be defined
Voltage (V) with dip registration or apparent power (VA), real power (W), power factor (%)

Accuracy <1% (IEC 50470:3 Class C)

- **Display**

LCD Backlight, 360-degree reading, tiltable

- **Data bus**

2 x RJ45 data bus connectors RS-485

- **Ethernet**

RJ 45 screened connector
TCP/IP 10/100 Mb, DHCP with fall-back static IP, SNMP, Modbus, API

- **Sensor port**

Digital temperature/relative humidity sensor and/or dry contact based on binary input for potential-free contact

- **Energy consumption**

Electronic components: < 3 W

- **Environment**

Ambient temperature: 0°C - 60°C

- **Plug**

CEE 7/4 (Schuko), CEE 7/5 (UTE), IEC320 C14, IEC320 C20, IEC60309 1 phase (IP44/IP67), IEC60309 3 phase (IP44/IP67), BS 1363, GST 3/18, T13, T23

- **Outputs**

IEC320 C13, IEC320 C13 IEC lock, IEC320 C19, IEC320 C19 IEC lock, CEE 7/3 (Schuko), CEE 7/5 (UTE), IEC60309 1 phase (IP44/IP67), IEC60309 3 phase (IP44/IP67), BS 1363, GST 18/3, T13, T23

- **Fuses**

Miniature circuit breaker (MCB), thermal fuse, glass cartridge fuse holder, PASCO cartridge holder

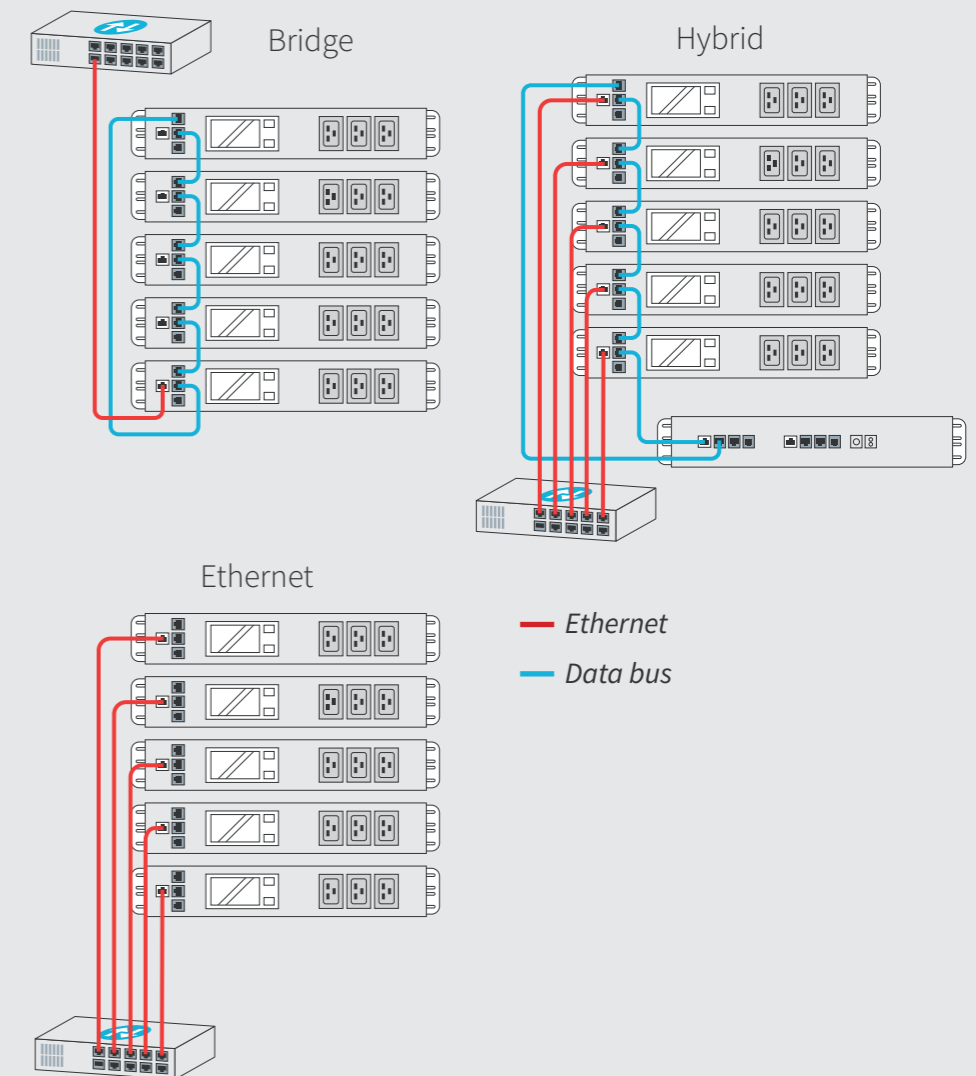
- **Surge protection**

Manufacturer: Dehn.
Exchangeable module (Hot Swap)

- **Certificates**

CE
ROHS2
EN-60950
EN-61000

EXAMPLES OF CONNECTIVITY:



Your **PDU**[®]

by Schleifenbauer



CONTACT

Schleifenbauer BV

Rietwaard 15
5236 WC 's-Hertogenbosch
The Netherlands
t +31 (0)73 52 30256
f +31 (0)73 521 23 83

Schleifenbauer Deutschland GmbH

Industriering Ost 66
47906 Kempen Nordrhein-Westfalen
t + 49 (0)89 416 107 150
f + 49 (0)89 416 107 159

www.schleifenbauer.eu