

The world's most reliable 28 VDC GPU

AXA 1400 28 VDC Ground Power Unit

400 V, 50 Hz input - Rating 600 & 400 A



DURABLE DESIGN

The AXA 1400 is a small, light and easy manoeuvrable solid-state GPU that does not take up much space neither in mobile nor in the fixed version.

The solid-state technology means that wear and tear is limited to a minimum since there are no rotating parts. The result is a very reliable and dependable unit that is built to last for a long time. In case of service or repair, the canopy can be completely removed within minutes, thus leaving full access to all parts.

ITW GSE OPERATOR INTERFACE

The icon based operator interface is common for all ITW GSE products. It is easy and intuitive and guarantees you correct operation.

The daily operator only has to press the combined start/stop button - nothing more. But he can monitor various parameters such as voltage and current at the display screen. For set-up and maintenance purposes, there is a deeper level dedicated for the technician.

DOWNLOADS AND UPDATES

The software-based control system means that the AXA 1400 GPU can easily be updated in the future simply by transferring new software from a USB stick/flash drive. Power log and Black Box files for analysis can be downloaded the same way.



AXA POWER is part of ITW GSE
- the world's leading supplier of Ground Support Equipment:



It's all about connections



ITW GSE ApS
 Smedebakken 31-33
 DK-5270 Odense N
 Denmark

tel: +45 63 18 60 00
 fax: +45 63 18 60 49
 e-mail: sales@itwgse.com
 web: www.itwgse.com

Specifications

AXA 1400 28 VDC Ground Power Unit

Input

- Voltage range: 3 x 400 V -10/+15%
- Frequency: 50/60 Hz ±5%
- Rectification: 6 pulse
- Line current: 29 A
- Power factor: 0.91
- Inrush current: None, soft start

Output

- Current: 600 A continuously (can be limited to 400 A upon request)
- Engine Start Capability: 28 V @ 2000A
- Voltage: 28 VDC (or as adjusted)
- Ripple: less than 2% at full load
- Voltage regulation: <0.5% from no load to full load
- Voltage compensation: 3 V @ 600 A Manual or voltage feed-back via interlock

Weight

- Fixed unit approx. 120 kg
- Mobile unit approx. 240 kg

Efficiency

- Overall efficiency: 0.87
- Stand by losses: 130W
- No load losses: 330W

Environmental

- Operating temperature: -40°C to +56°C (133°F)
- Relative humidity 10-100% non condensing
- Noise level <65 dB(A)@1m

Overload ratings

- | | |
|--------------|-----------------------|
| 600 A | 400 A |
| • 1200 A | 800 A for 30 seconds |
| • 1800 A | 1200 A for 10 seconds |
| • 2100 A | 1400 A for 5 seconds |
| • 2400 A | 1600 A for 2 seconds |

Miscellaneous

- MTBF (proven): 100.000 hours
- Ventilation system: min. 25.000 hours
- MTTR: max. 20 minutes
- Communication: TCP/IP, USB

Protection

- Protection class: IP55 (electronic section)
- Over/under voltage at in/output
- Over temperature
- Internal voltage error
- Short circuit at output
- Trip in case that:
 - U<20 VDC for more than 4 seconds
 - U>32 VDC for more than 4 seconds
 - U<40 VDC for more than 150 ms

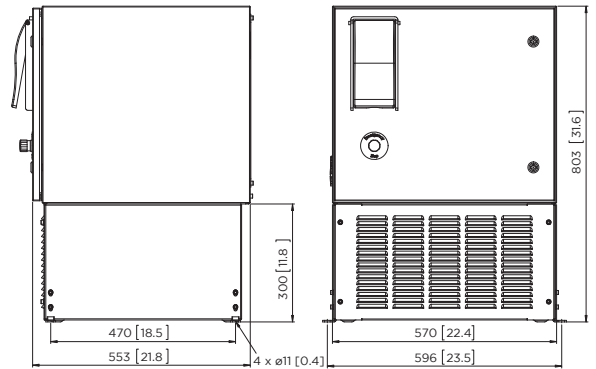
Options

- Cables upon request

Norms and Standards

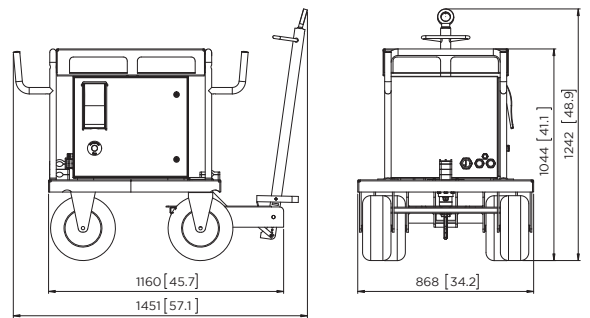
ISO 6858	Aircraft ground support electrical supplies- General requirements
BS 2G 219	General requirements for ground support equipment
MIL-704F	Aircraft electric power characteristics
EN 1915 - 1 & 2	(Machinery - General safety requirements)
EN 12312-20	(Machinery - Specific safety requirements)
EN 60204-1	(Machinery - Electrical safety)
EN 62040-1-1	LVD - Safety standards
EN 61558-2-6	LVD - Safety standards
EN 61000-6-2	EMC - Immunity standard
EN 61000-6-4	EMC - Emission standards

Fixed Version



Dimensions are shown in mm and (inches)

Mobile Version



Dimensions are shown in mm and (inches)



The AXA 1400 is light and small; the fixed version is only 80 cm high !

Should you want cables with your AXA 1400 unit, we can of course supply those as well.



Specifications subject to change without prior notice

It's all about connections

february 2015