

# AXA 2400 COMPACT

120-140-180 kVA solid-state GPU



**PLUG & PLAY**  
UNIQUE VOLTAGE QUALITY

*AXA POWER is part of ITW GSE  
- the world's leading supplier of Ground Support Equipment*

**ITW GSE AXA POWER**

It's all about connections

# Specifications

## AXA 2400 Compact – 120 - 140 - 180 kVA GPU

### Input

- Voltage range: 3 x 400 V  $\pm 15\%$
- Frequency: 50/60 Hz  $\pm 5$  Hz
- Rectification: Magnetic wave-shaping
- Rated current: PF (load) 0.8 / PF 1  
 120 kVA: 150 A  $\pm 15\%$  / 190 A  $\pm 15\%*$   
 140 kVA: 175 A  $\pm 15\%$  / 220 A  $\pm 15%*$   
 180 kVA: 230 A  $\pm 15\%$  / 285 A  $\pm 15%*$   
 \*Values adjusted to the next 5A value
- Line current distortion:  
 120 kVA: 9%, 140 kVA: 7%, 180 kVA: 5%
- Power factor: 120 - 140 kVA: 0.99  
 180 kVA: 1 @ nominal load
- Inrush current: None

### Output

- Rated Power: 120-140-180 kVA, PF 0.8-1
- Voltage: 3 x 115/200 V
- Frequency: 400 Hz  $\pm 0.001\%$
- Power factor:  
 0.7 lagging to 0.95 leading
- Voltage regulation:  
 $< 0.5\%$  for balanced load and  
 up to 30% unbalanced load
- Voltage recovery:  $\Delta U < 8\%$  and  
 rec. time  $< 10$  ms at 100% load change
- Total harm. content:  
 $< 2\%$  at linear load (typ. 1.5%)  
 $< 2\%$  at non linear load according  
 to ISO 1540
- Crest factor: 1.414  $\pm 3\%$
- Voltage modulation:  $< 1.0\%$
- Phase angle symmetry:  
 120°  $\pm 1^\circ$  for balanced load  
 120°  $\pm 2^\circ$  for 30% unbal. load

### Protection

- Protection class: IP55 input &  
 output zones
- No break power transfer
- Over/under voltage at output
- Overload
- Internal high temperature
- Control voltage error
- Short circuit at output
- GPU enable
- 90% switch interlock
- Neutral voltage supervision
- Leakage current supervision

### Weight

Fixed & PBB units: 650 kg

### Efficiency

- Overall efficiency:  
 0.93 at 180 kVA load PF 0.8-1
- Stand by losses: 150 W
- No load losses: 4,4 kW

### Environmental

- Operating temperature:  
 $-40^\circ\text{C}$  to  $+56^\circ\text{C}$   
 ( $+60^\circ\text{C}$  at Aircraft Load)
- Relative humidity 10-100%
- Noise level  $< 65$  dB(A) @1m

### Overload Ratings

- 125% for 600 seconds
- 150% for 60 seconds
- 200% for 30 seconds
- 300% for 10 seconds
- 400% for 1 second

### Miscellaneous

- MTRR: max. 20 minutes
- Colour: RAL 7035 (standard)

### Dimensions

Kindly refer to drawings or to further  
 information at [www.itwgse.com](http://www.itwgse.com)

### Available Standard Options

- Input voltage 3 x 460 V  $\pm 15\%$  or
- Input voltage 3 x 600 V  $\pm 15\%$
- Additional base module
- Single output configuration
- Terminal extension for 2 pcs.  
 of 7 core cable
- Remote control box
- Lockable door
- Door interlock
- RS485 interface
- Military interlock
- Dry Contacts
- AXA service tool

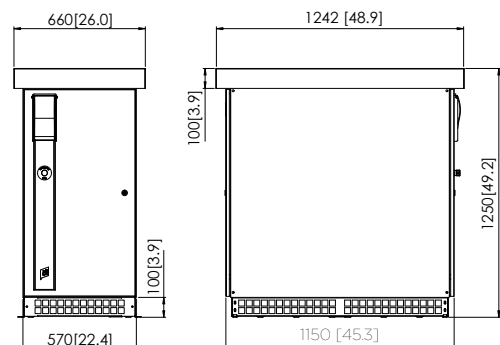


**PLUG & PLAY**  
 UNIQUE VOLTAGE QUALITY

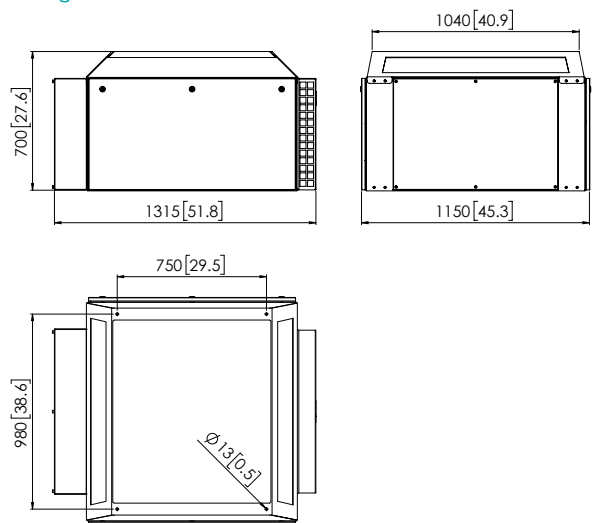
### Norms and Standards

- DFS400 Specification for 400 Hz aircraft power
- ISO 6858 Aircraft ground support electric supplies
- BS 2G 219 General requirements for ground support  
 equipment
- MIL-STD-704F Aircraft electric power characteristics
- SAE ARP 5015 Ground equipment 400 Hz ground  
 power performance requirement
- EN2282 Aerospace series characteristics of aircraft  
 electrical supplies
- EN62040-1-1 General & safety requirement
- EN61558-2-6 General & safety requirement
- EN61000-6-4 Electromagnetic compatibility  
 Generic emission standard
- EN61000-6-2 Generic immunity standard
- EN1915-1&2 Machinery; general safety requirements
- EN12312-20 Machinery; specific safety requirements

### Fixed Unit



### Bridge-Mounted Unit



Dimensions are shown in mm and (inches).

