

# AEG



---

**MBS 2000**

**MBS 3000**

# 1 General

The external, manually operated bypass unit is an option for the PROTECT B., C. and C.R UPS series. It is used for isolating the UPS, for example for maintenance purposes, whilst the connected loads continue to be supplied without interruption. Furthermore, an additional switch setting permits UPS test operation.

## Scope of delivery:

- ◆ External bypass unit MBS 2000 or MBS 3000
- ◆ 4 adhesive pads for attaching to the tower model
- ◆ 2 brackets for 19" rack mounting
- ◆ 4 screws for attaching the brackets to the bypass
- ◆ 2 connection cables to the UPS
- ◆ Operating instructions

## Prerequisites:

- ◆ AEG PROTECT B., PROTECT C. or PROTECT C.R UPS series

# 2 Description

The external bypass is used for changing over between:

**"NORMAL"** operation (default switch position),  
i.e. secure load supply with UPS back-up.

**"TEST"** operation (service position),  
i.e. load supply directly from the mains,  
additional mains supply to the UPS for service purposes.

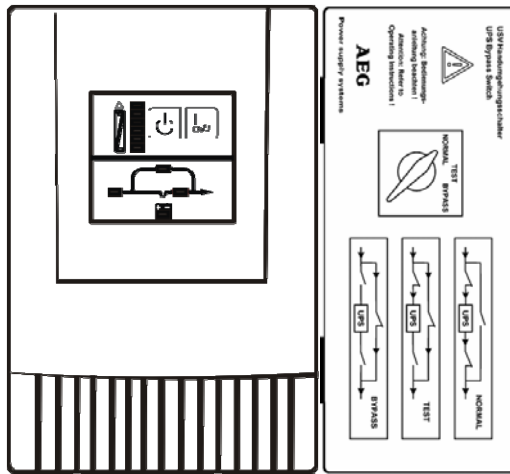
**"BYPASS"** operation (bypass position),  
i.e. load supply directly from the mains,  
additional complete isolation of the UPS



UPS output may still be live due to its internal voltage source!

If there is a mains failure during "TEST" and "BYPASS" operation then the supply to the connected loads will be interrupted.

### 3 Installation (mechanical)

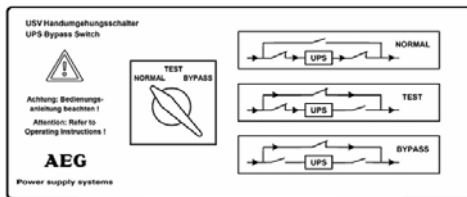


#### Type MBS 2000

- PROTECT B. 750 / B. 1000
- PROTECT B. 1500 / B. 2000
- PROTECT C. 1000 / C. 1000R
- PROTECT C. 2000

Example: PROTECT C. 1000 with MBS 2000

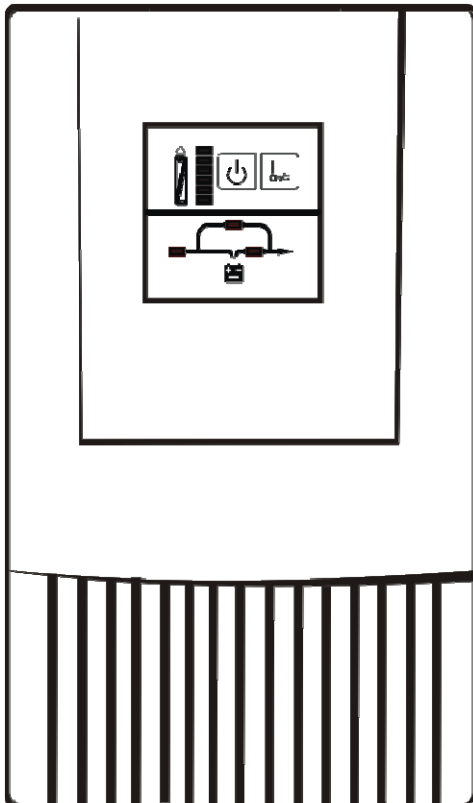
Attach the external bypass to tower units with using the four adhesive pads on the side of the UPS housing as shown in the adjacent figure.



#### Type MBS 3000

- PROTECT B. 3000
- PROTECT C. 3000 / C. 3000R

Attach the external bypass to more powerful tower units with 3000 VA using the four adhesive pads on the top of the UPS as shown in the adjacent figure.

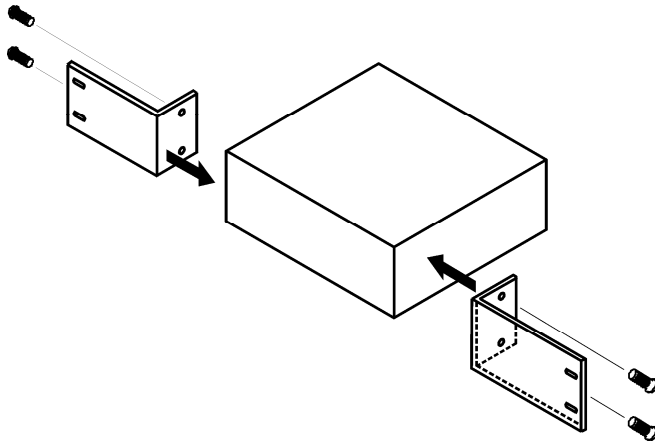


Example: PROTECT C. 3000 with MBS 3000



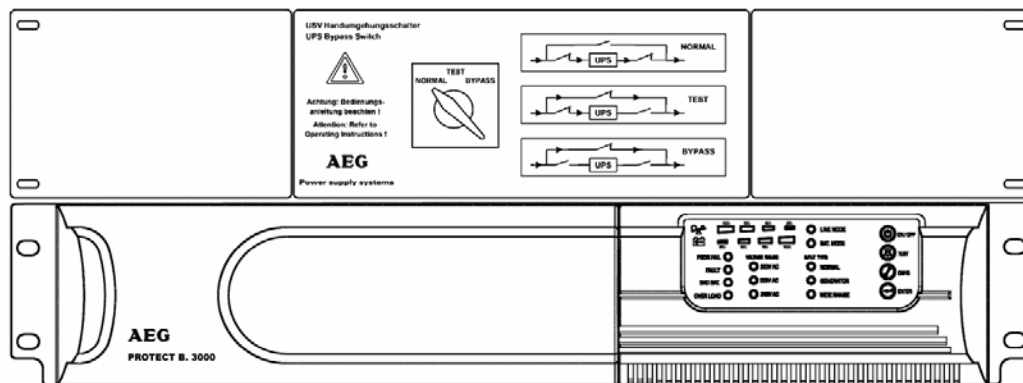
The gluing points must be dry and free from grease. The adhesive pads do not develop their full strength until after a curing time of approx. 24 hours. Do not apply any mechanical load to the external bypass unit during this time. Press the unit on firmly at the start.

### PROTECT C.1000R / C.2000R / C.3000R / B. Rack version



For use in a rack, use the four screws supplied with the bypass unit to attach the two supplied retaining brackets to the sides of the unit.

During subsequent installation in the rack, take care that the unit is located close to the UPS so as firstly to establish the causal connection between the two and secondly to facilitate connection and subsequent replacement of the UPS.



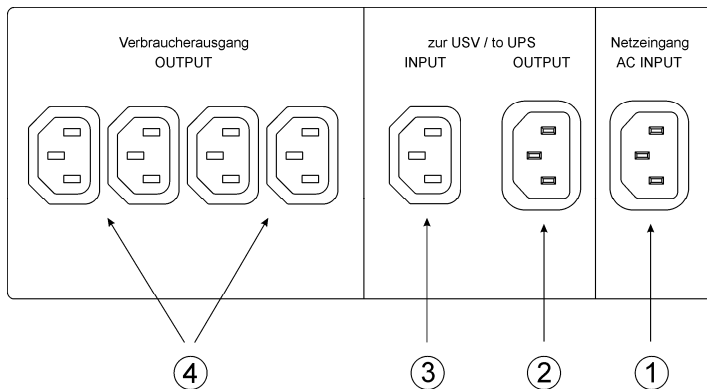
Example: PROTECT B.3000 with MBS 3000

## 4 Connection (electrical)

If you have already taken the UPS into operation then switch it off as the first step. Now disconnect the UPS from the mains by disconnecting the mains connector.

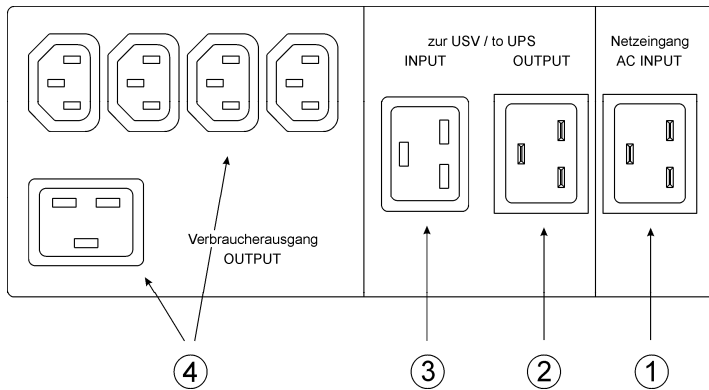
Before you perform the installation described below, make sure that none of the cables are live.

Make sure that the external bypass switch is in its default position "NORMAL".



Rear view of MBS 2000 for unit types:

PROTECT B. 750  
PROTECT B. 1000  
PROTECT B. 1500  
PROTECT B. 2000  
PROTECT C. 1000  
PROTECT C. 1000R  
PROTECT C. 2000  
PROTECT C. 2000R



Rear view of MBS 3000 for unit types:

PROTECT B. 3000

PROTECT C. 3000

PROTECT C. 3000R

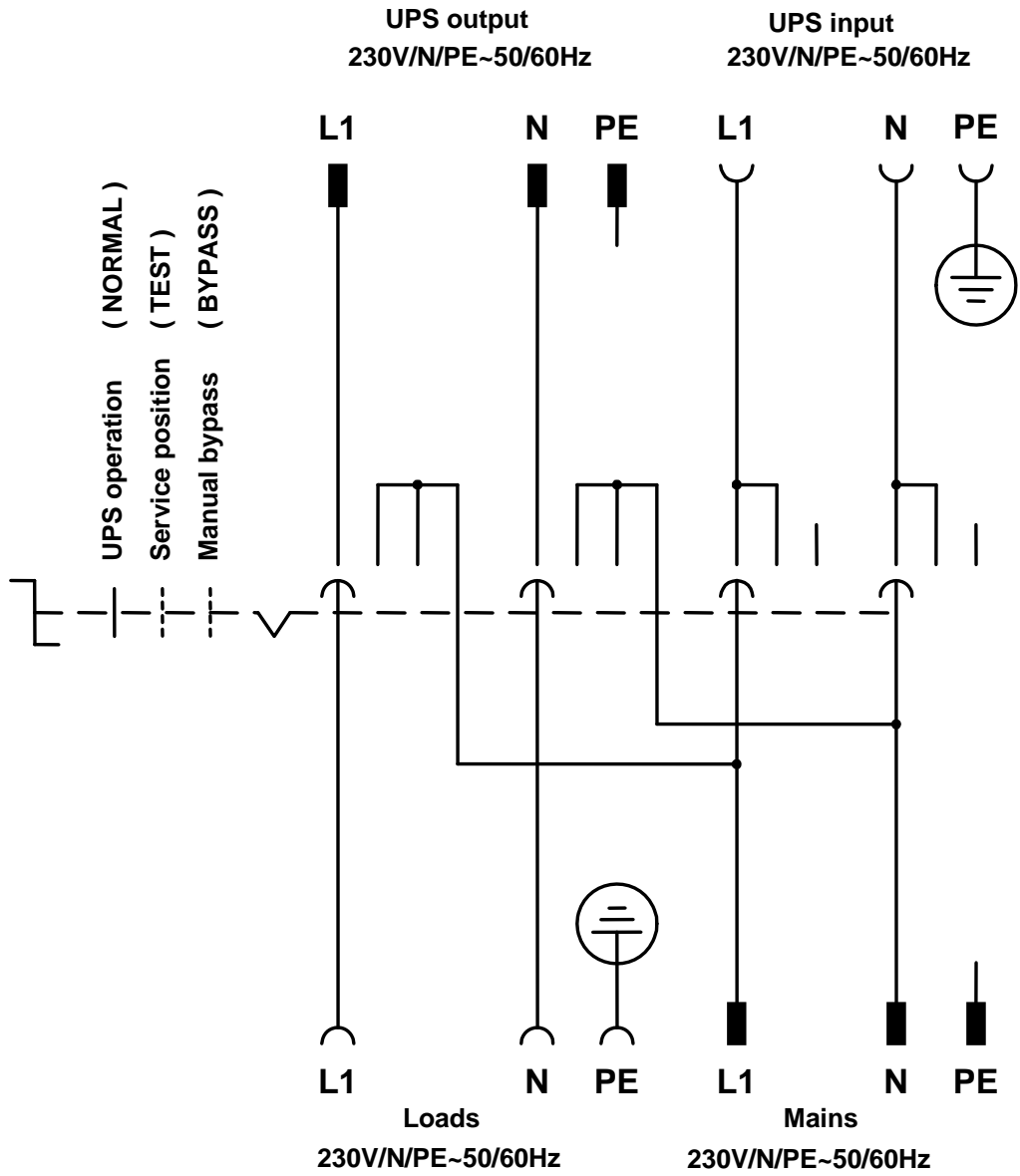
1. Connect the input of the external bypass to the mains connection cable provided with the UPS and plug the mains connector into a suitable shockproof socket. In particular in the case of high-capacity types, ensure that the fusing in your sub-distribution is adequately dimensioned: The 3 kVA system, for example, requires its own connection with a 16 A fuse. No other loads should be connected to this circuit!

Two connection cables are supplied with the external bypass. Make the following connections:

2. Connect "OUTPUT" to the UPS output.
3. Connect "INPUT" to the UPS mains input.
4. As the last step, connect your loads. To do this, use the load connection cables provided with the UPS.

This completes the installation and cabling of the UPS with the external bypass unit. Now start up the UPS system in accordance with the operating instructions.

# 5 Wiring diagrams



## **Guarantee Certificate**

Type: .....

Serial-No: .....

Date of Purchase: .....

Trading stamp /Signature

Specifications are subject to change without notice.

# **AEG**

## **Power supply systems**

AEG Power Supply Systems GmbH

Emil-Siepmann-Straße 32

59581 Warstein-Belecke

Germany

Betriebsanleitung / Operating Instructions

BAL 8000014320-01 EN

AEG0306EN